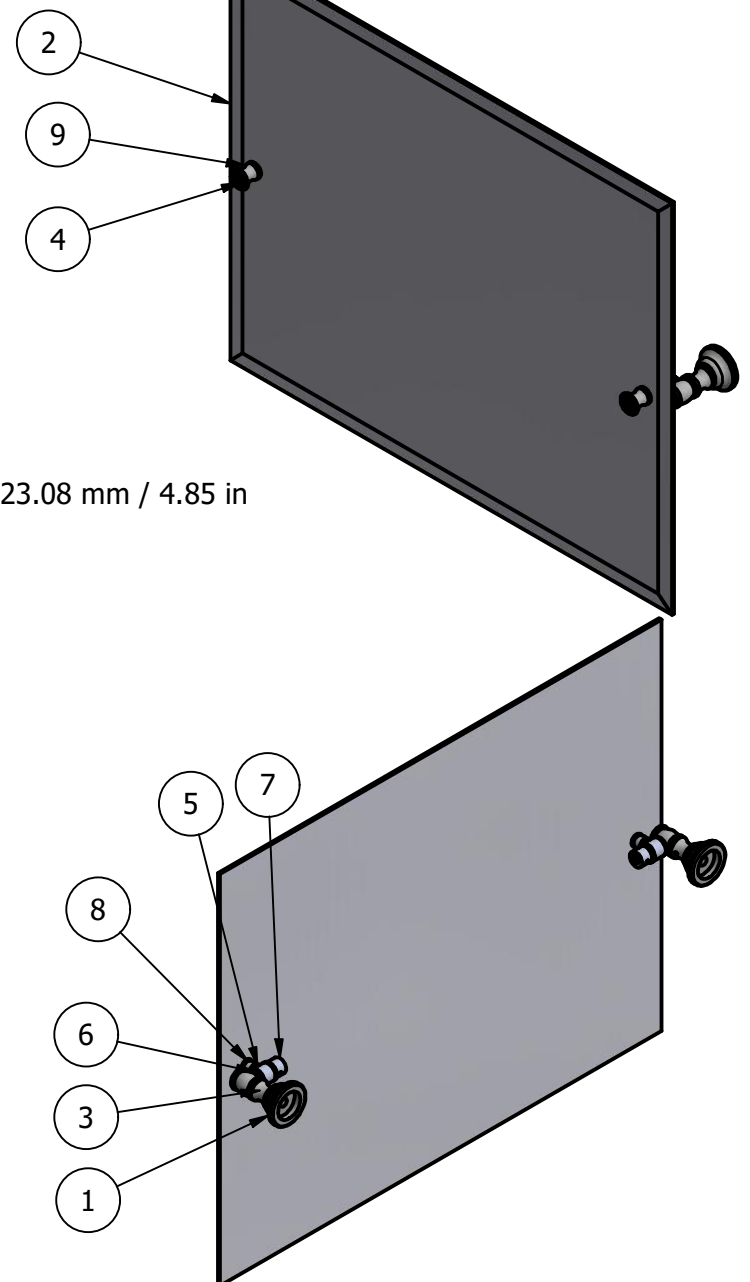
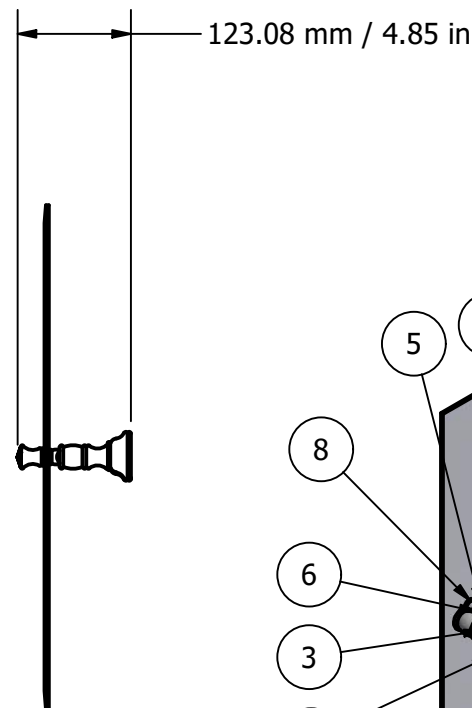
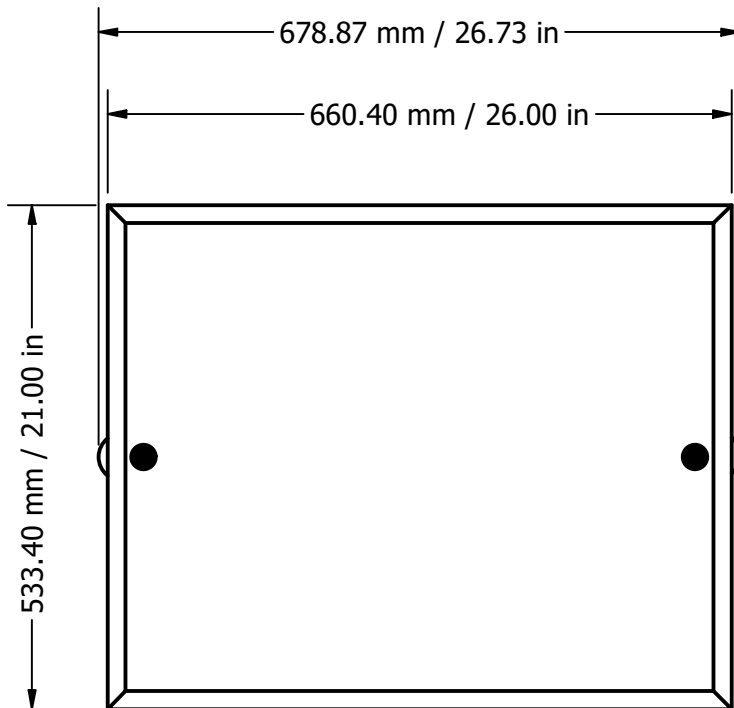


PARTS LIST			
ITEM	QTY	PART NUMBER	DESCRIPTION
1	2	TBBS-2	BACKPLATE
2	1	MRRT-93	RECTANGULAR MIRROR
3	2	TSPS-2	HUB
4	2	CRYSTCAP	CRYSTAL CAP
5	2	MR-TILT-FITT	HUB
6	4	CRRD-34	CHECK RING
7	2	LNMR-38	RETAINER LOCKNUT
8	2	PSRD-58	HUB
9	2	KBBD-1	HUB



UNLESS OTHERWISE SPECIFIED	
.X	± .3mm
.XX	± .15mm
.XXX	± .008mm

APPROVED FOR PRODUCTION
 By: RICHARD PAUL
 Date: 11-27-19

DRAWN	11-27-19	IM	MATERIAL:	BRASS	FINISH	TBD
CHECKED	11-27-19	P.D.	DESCRIPTION:		QTY	TBD
APPROVED	11-27-19	R.A.	Carolina Crystal Collection Rectangular Landscape Tilt Mirror with Beveled Edge		DRAWING NO.	
					CC-93	
					0	
					SCALE	1.5:1

2

1